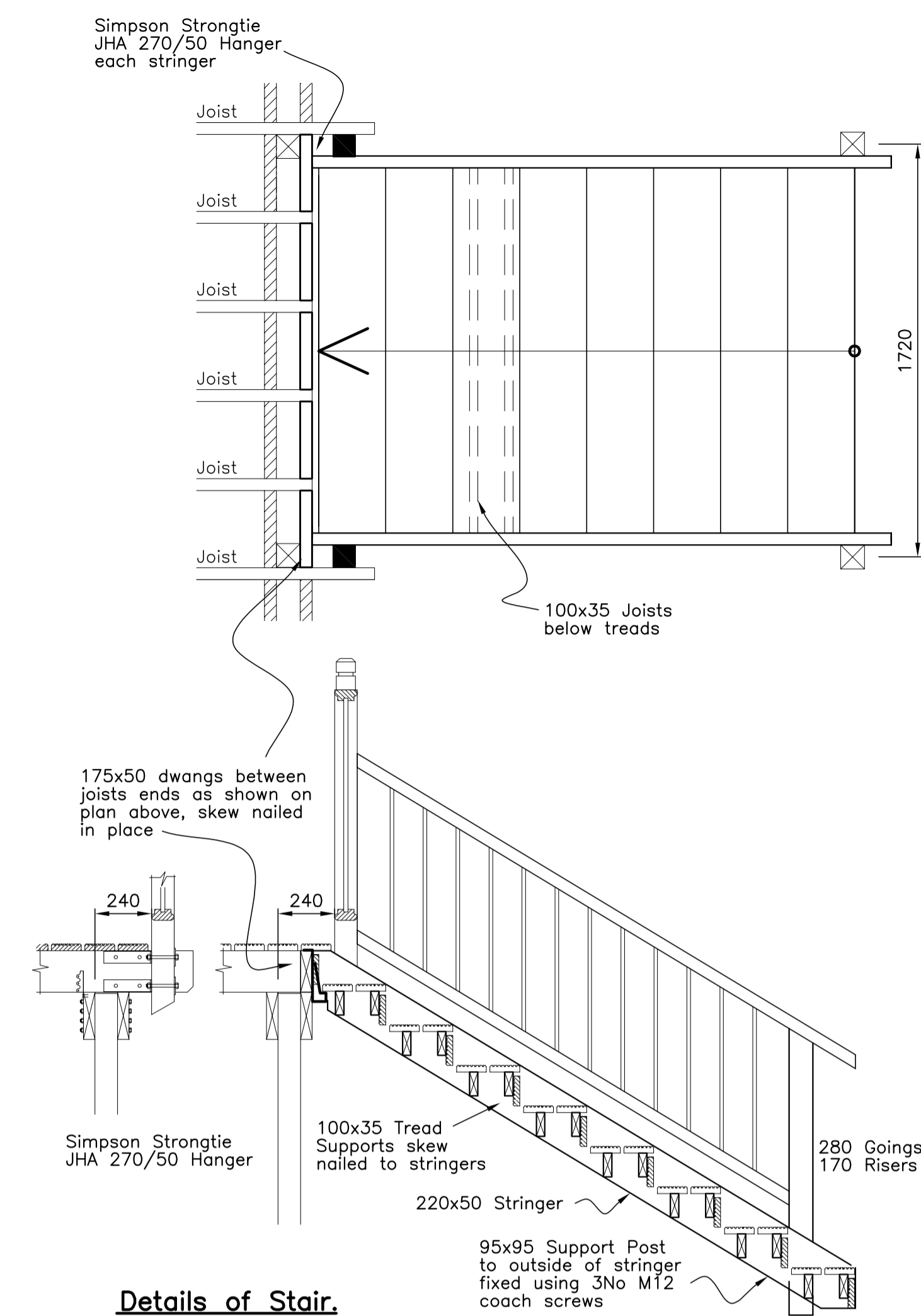
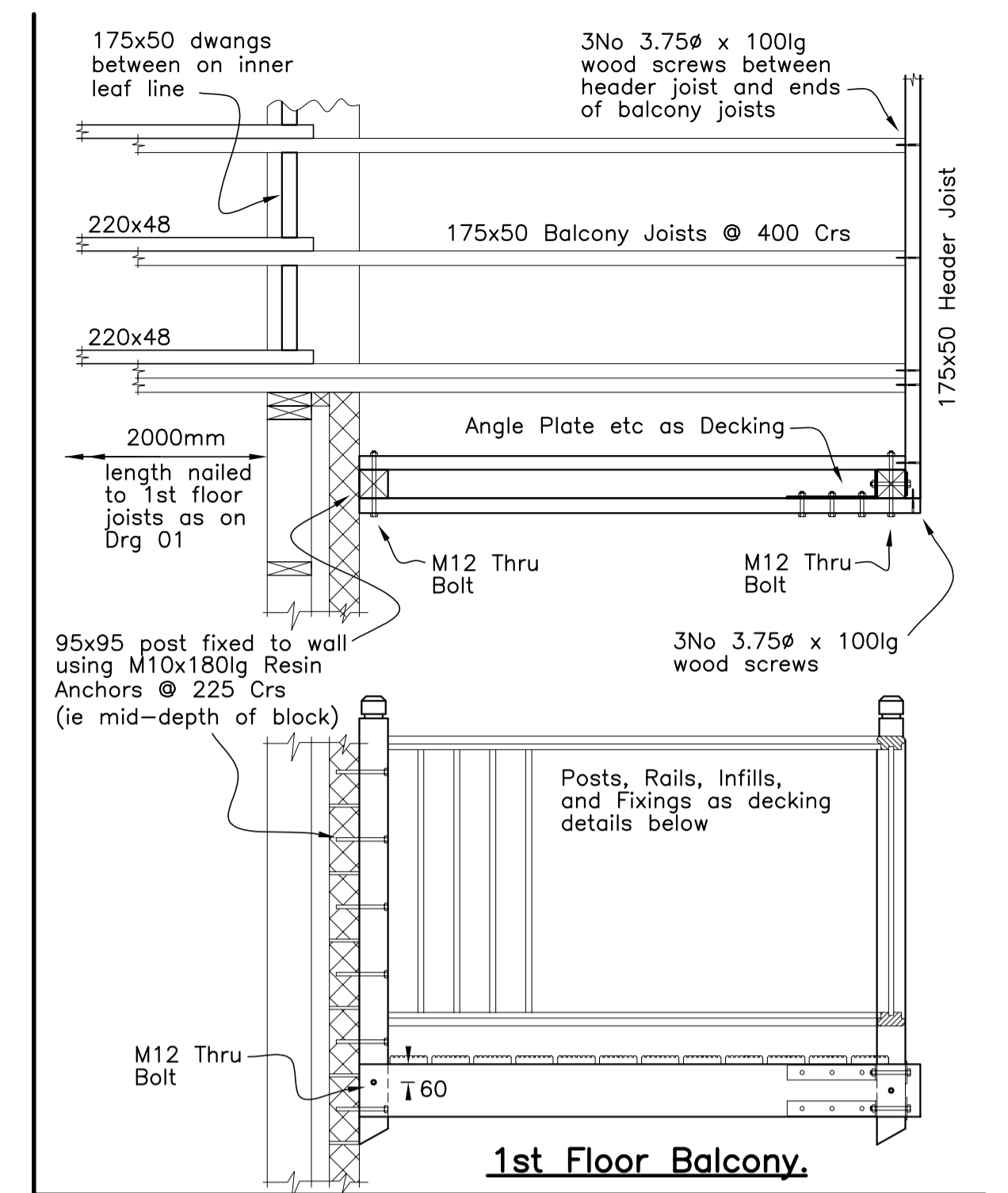


**Structural Arrangement and Detailing of Timber Decking.**

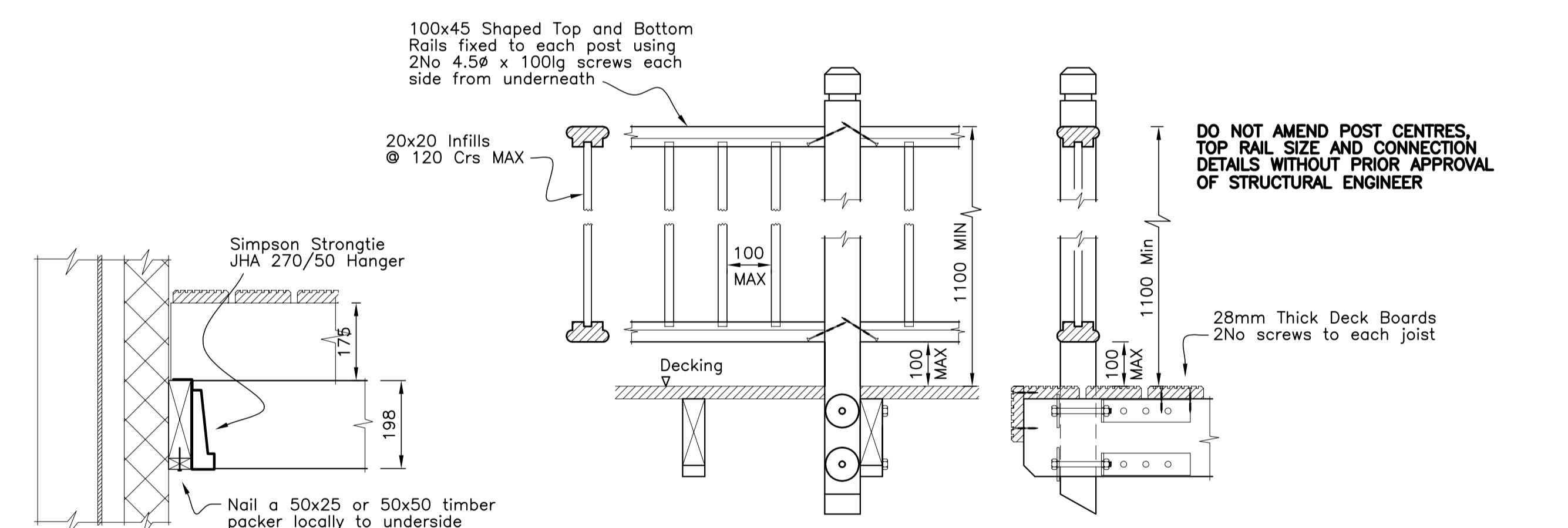
(Drawn to Scale but Enlarged for Clarity - Do Not to Scale)



**Details of Stair.**

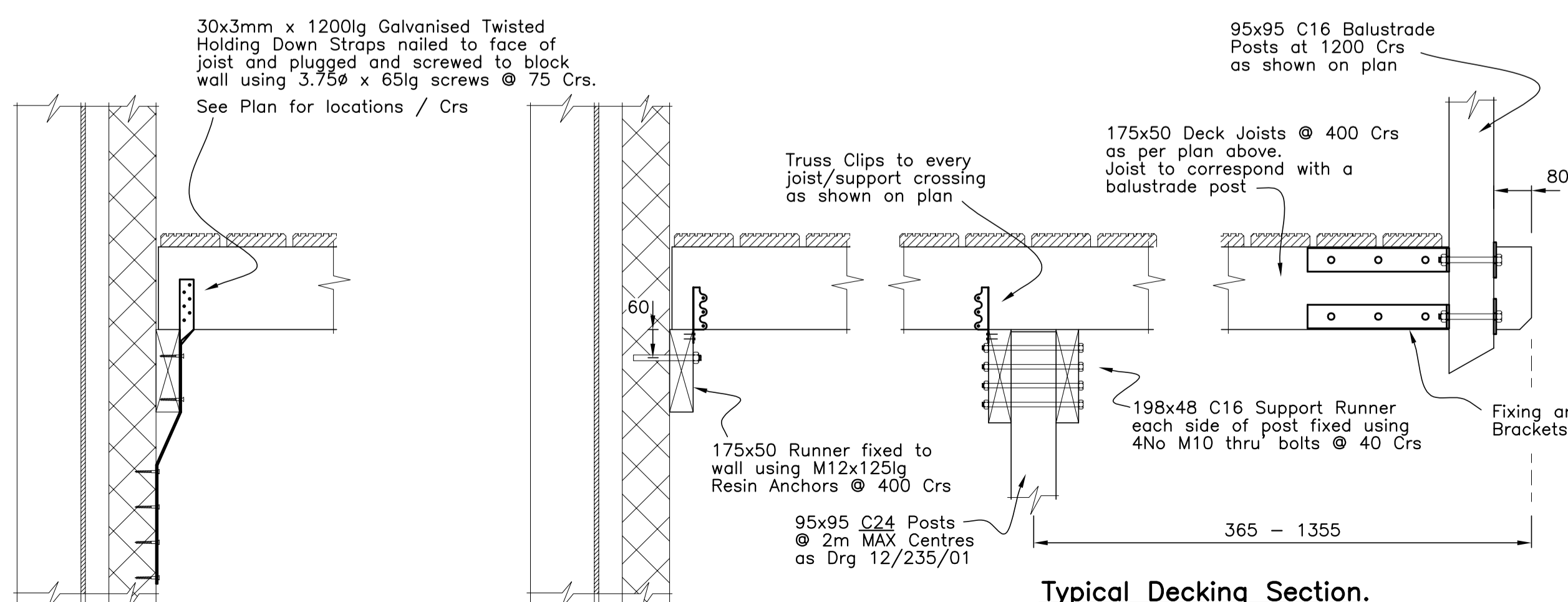


**1st Floor Balcony.**

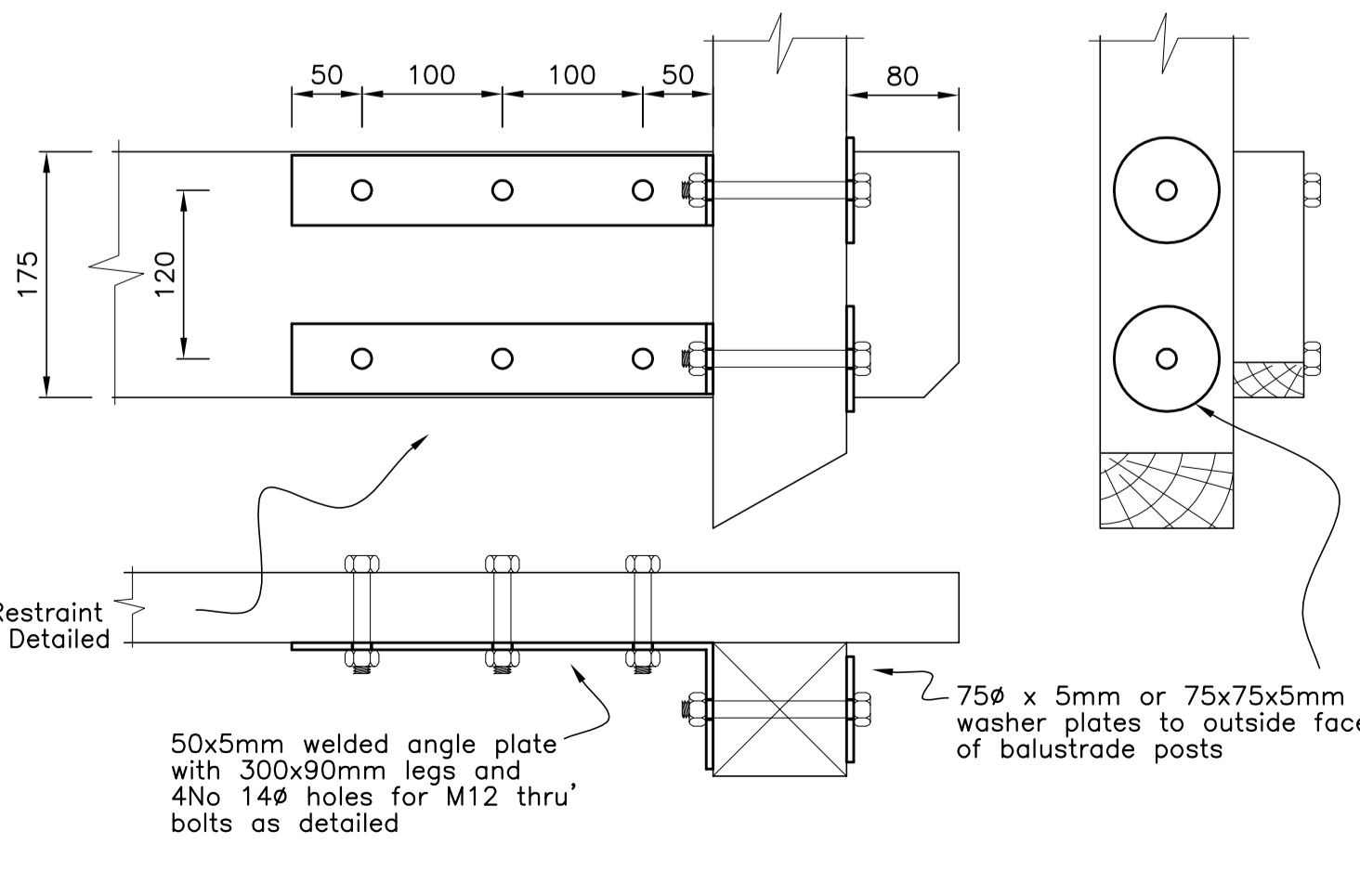


**Supporting Joist Off Wall Runner.**

**Balustrade Details & Fixings.**



**Typical Decking Section.**



**Typical Runner to Post Fixing Showing Runner Jointing Detail at Posts.**

FOR CONSTRUCTION		
<b>McKAY &amp; PARTNERS</b> CONSULTING ENGINEERS		
8 MARKET PLACE SELKIRK TD7 4BT		
TEL 01750 721726		FAX 01750 722752
<b>DECKING LAYOUT AND DETAILS</b>		
DRAWN	CHECKED	APPROVED
DATE	DATE	DATE
SCALE		
DRAWING NUMBER	REVISION	