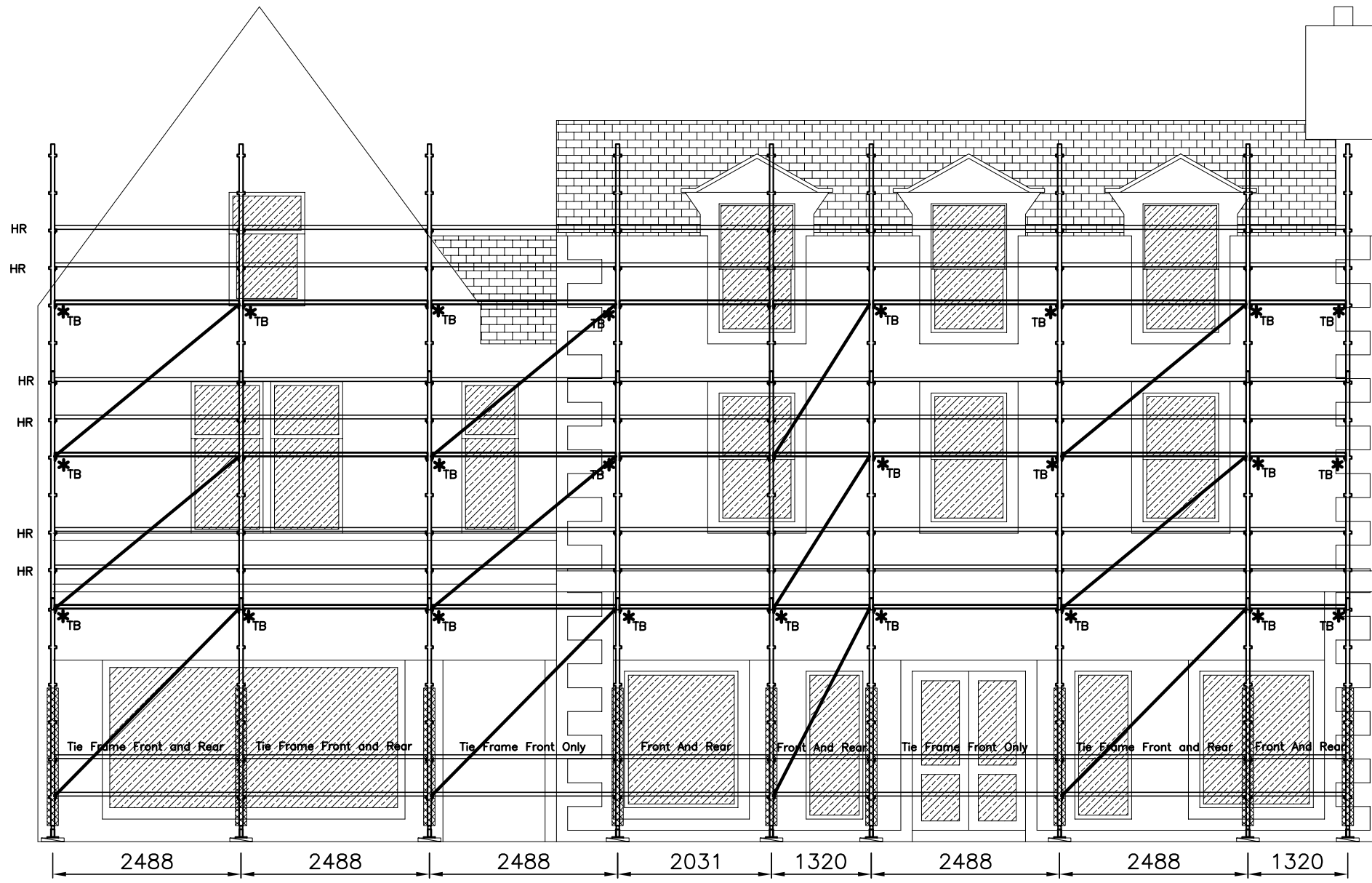
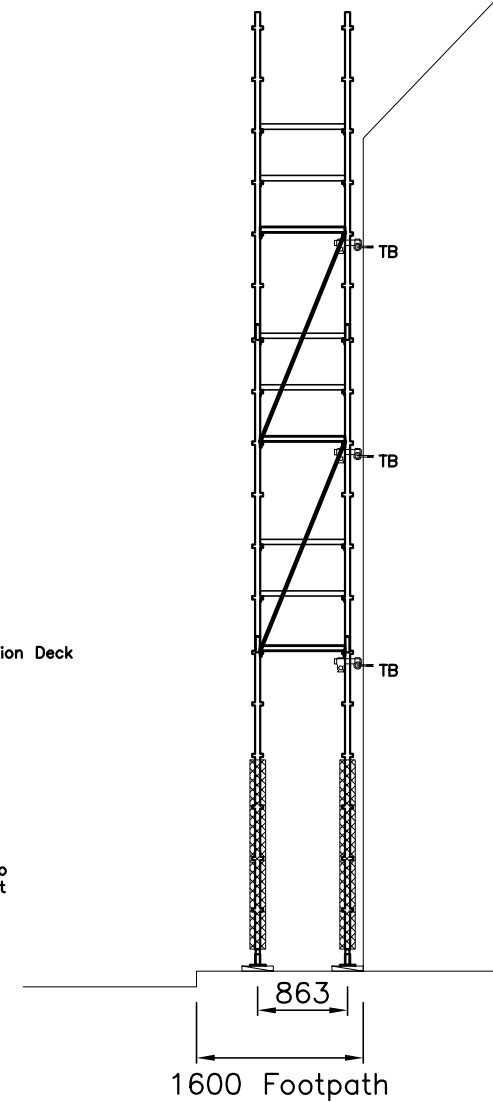


1. ALL EXISTING ELECTRICAL WIRING MUST BE CHECKED AND MADE SAFE BY THE CONTRACTOR PRIOR TO ERECTION OF SCAFFOLD.
2. CONTRACTOR MUST PREPARE ALL FOOTINGS PRIOR TO ERECTION. SOLE BOARDS TO BS EN 12811-1 : 2003 TO BE USED AT EVERY STANDARD
3. SCAFFOLD TYPE 'KWIKSTAGE' TO BE ERECTED IN ACCORDANCE WITH MANUFACTURERS INSTRUCTIONS AND IN ACCORDANCE WITH BS EN 12811-1 : 2003 (current editions)
4. WORKING PLATFORM CLASSED AS GENERAL PURPOSE (LOAD CLASS 2) FROM TABLE 3 ON BS EN 12811-1 : 2003. MAXIMUM DISTRIBUTED LOAD ON THE PLATFORM 2.0kN/m². PULLEY ACCESS MAY BE USED. MAXIMUM LOAD 50kg (PALLETTS OF BRICK OR SLATE ARE NOT PERMITTED)
5. THIS DRAWING TO BE USED FOR THE ERECTION OF SCAFFOLD BY :-
6. VARIATIONS TO SCAFFOLDS MAY BE REQUIRED TO ENSURE ACCEPTABLE SAFETY STANDARDS.



Guard Rail
 Guard Rail
 Working Deck
 Guard Rail
 Guard Rail
 Working Deck
 Guard Rail
 Guard Rail
 Working/Protection Deck
 Legs Padded to 2100mm height

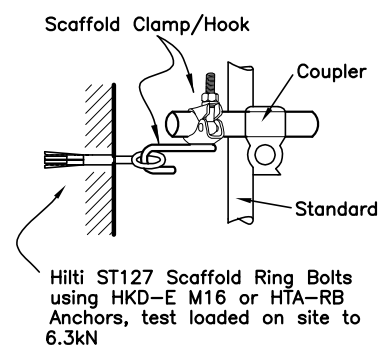


Elevation on Scaffold.

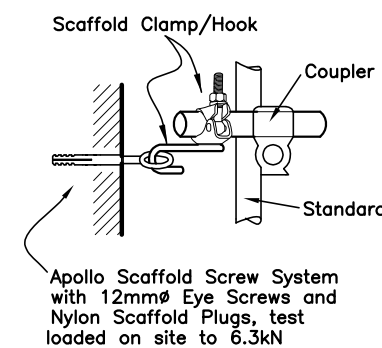
450x250x50mm Minimum Timber Spreader Plates below standards based on 100kN/m² Safe Bearing Capacity

Contractor to ensure scaffold is adequately supported with no standards on manholes. Ensure no basements below footpath

SCAFFOLD DESIGNED AS UNSHEETED
 WORKING PLATFORMS TO HAVE MESH PANELS, TOES BOARDS, END TOE BOARDS, TOP & MIDDLE RAILS.
 PROVIDE DOUBLE TRANSOMS AT PROTECTION DECK LEVEL



Masonry Tie Back Detail. Hilti Type.



Masonry Tie Back Detail. Apollo Type.

FOR CONSTRUCTION

McKAY & PARTNERS
 CONSULTING ENGINEERS

6 MARKET PLACE
 SELKIRK TD7 4BT

TEL 01750 721726 FAX 01750 722752

DRAWN	CHECKED	APPROVED
DATE	DATE	DATE
SCALE		
DRAWING NUMBER		REVISION