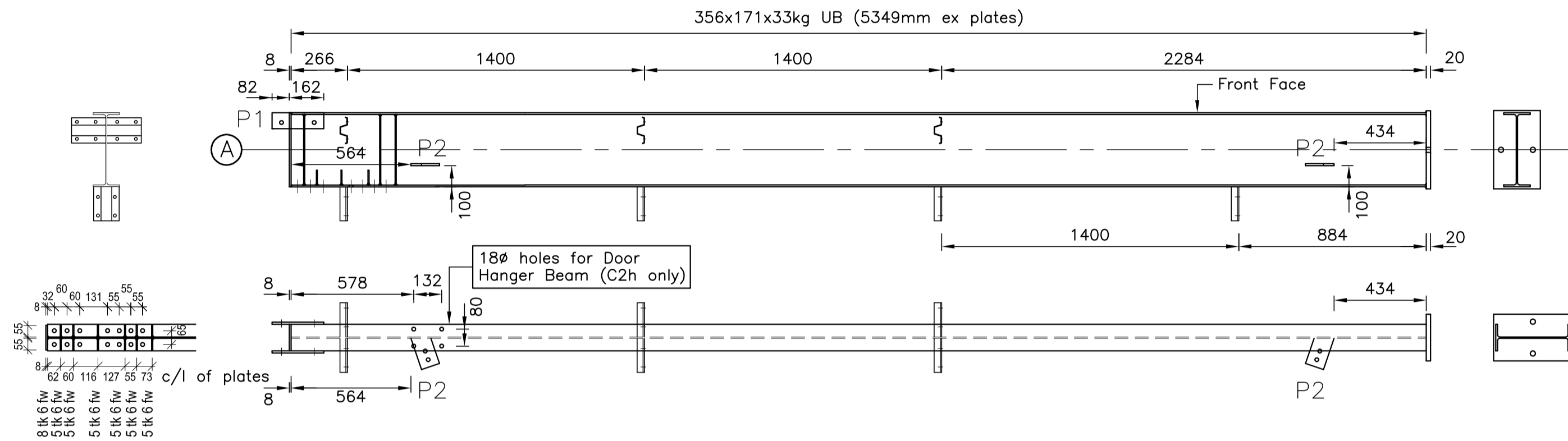
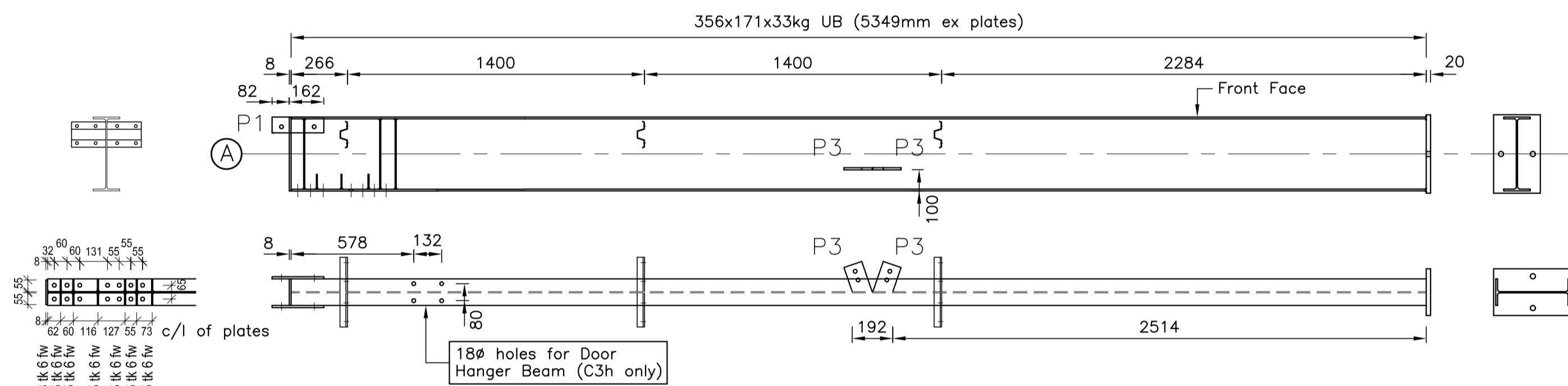


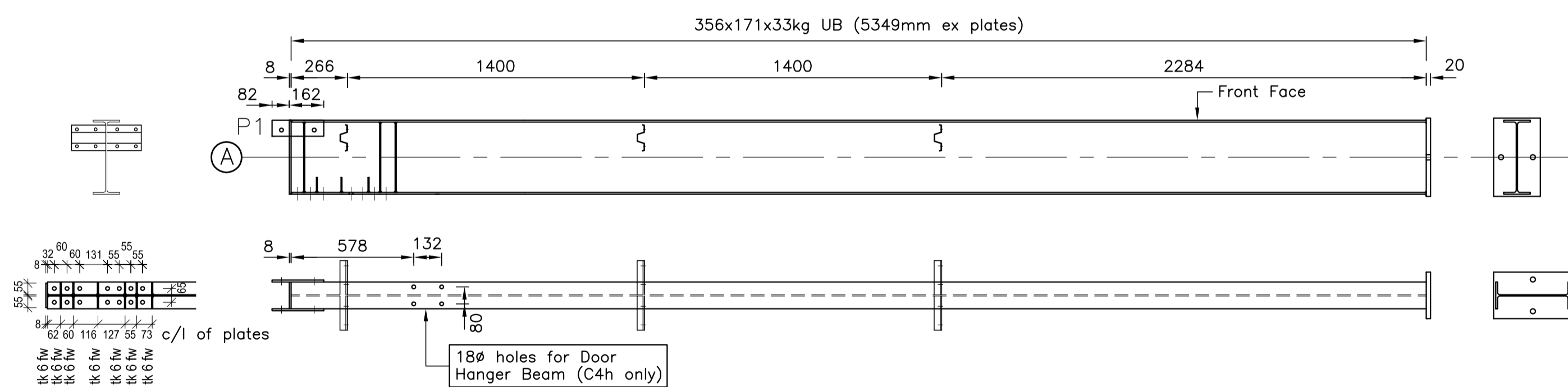
**Portal Leg (C1) (1No Thus + 1No Handed)**



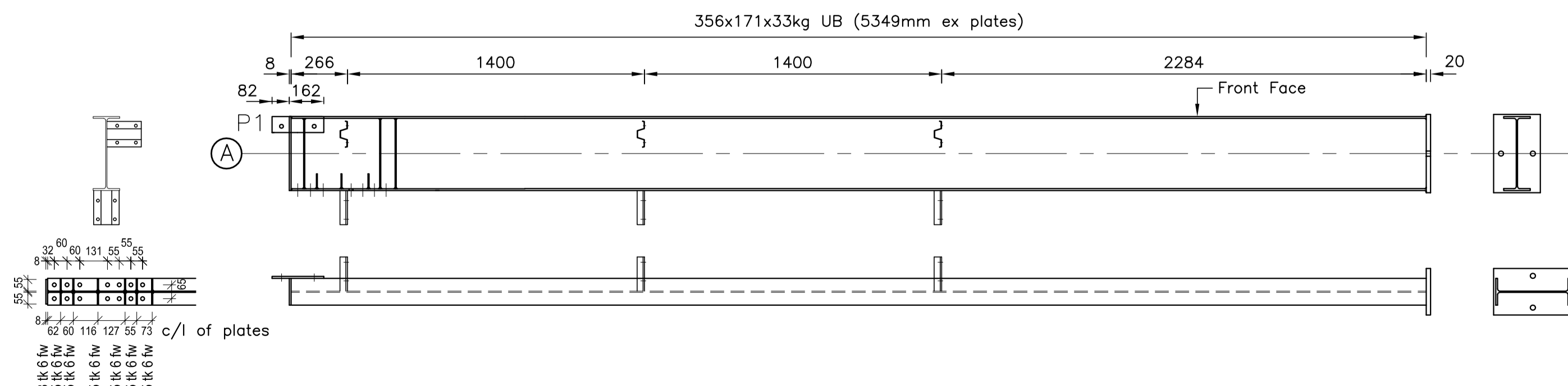
**Portal Leg (C2) (1No Thus + 1No Handed)**



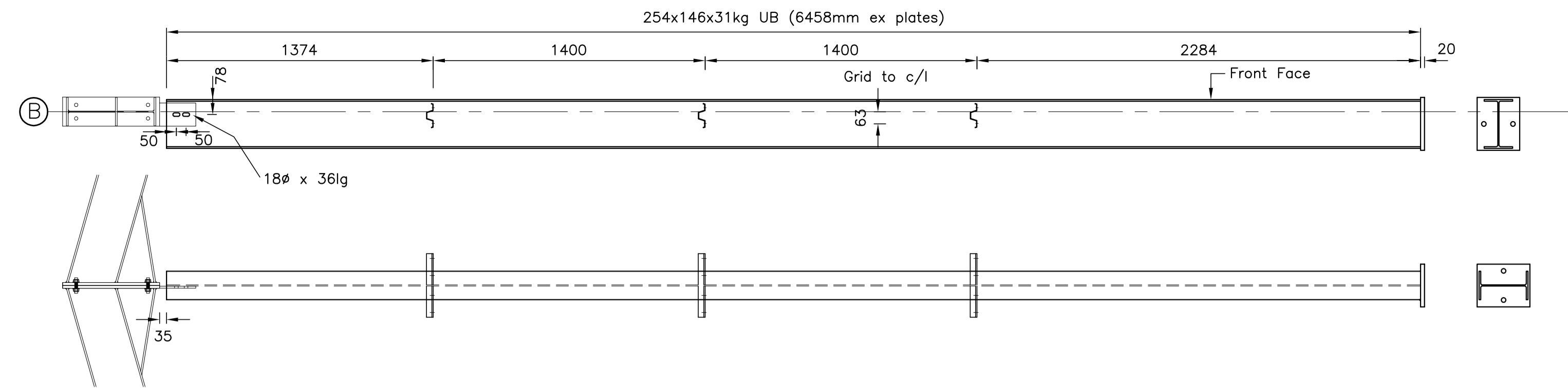
**Portal Leg (C3) (1No Thus + 1No Handed)**



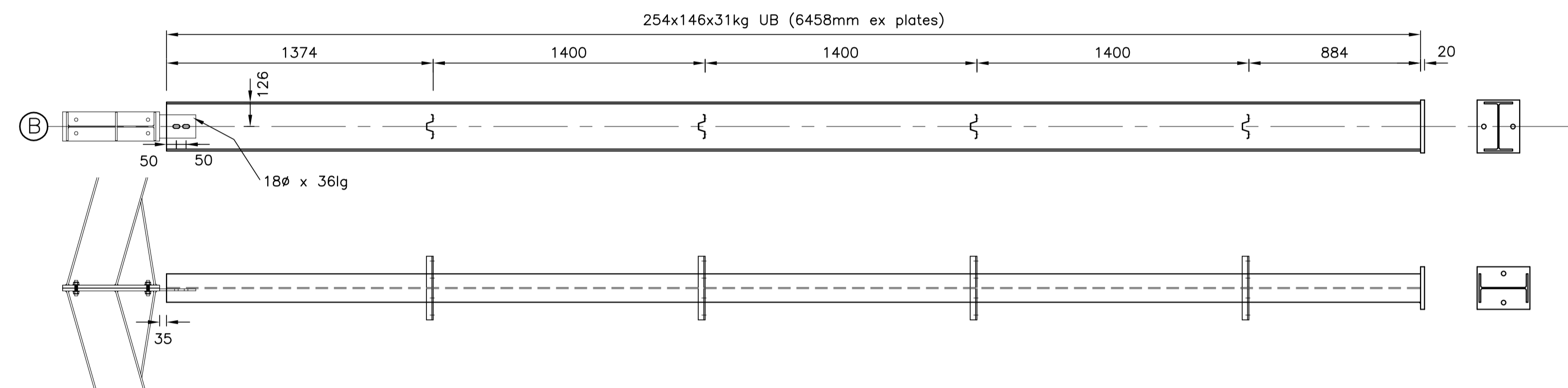
**Portal Leg (C4) (1No Thus + 1No Handed)**



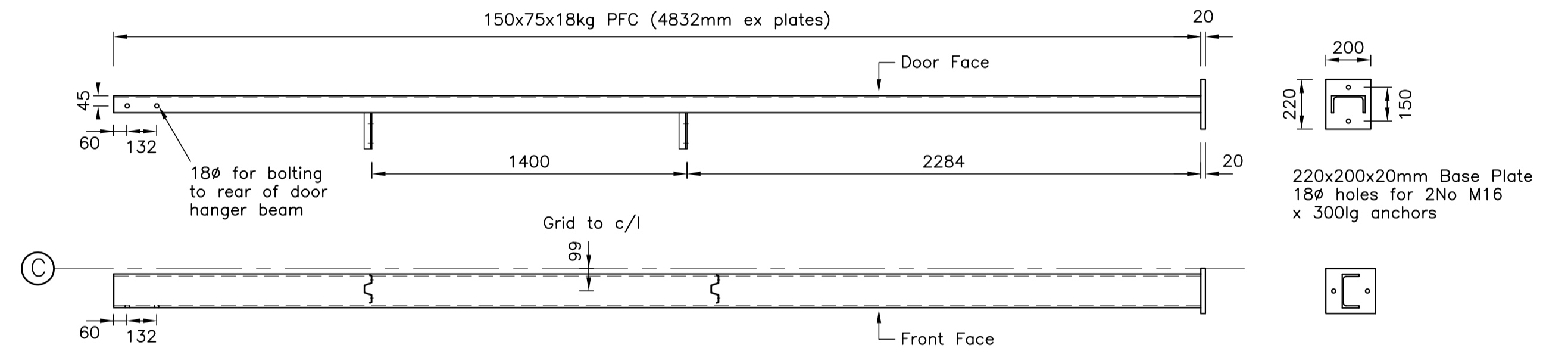
**Portal Leg (C5) (1No Thus + 1No Handed)**



**Portal Leg (C6) (1No Thus + 1No Handed)**

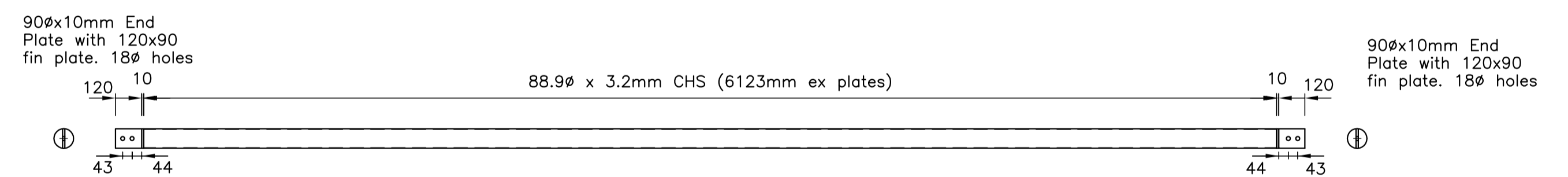


**Portal Leg (C7) (1No Thus)**

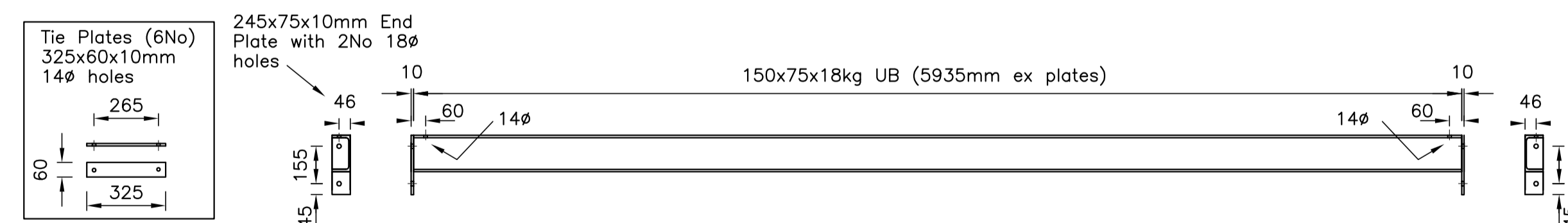


**Door Frame Post (C9) (2No Thus + 2No Handed)**

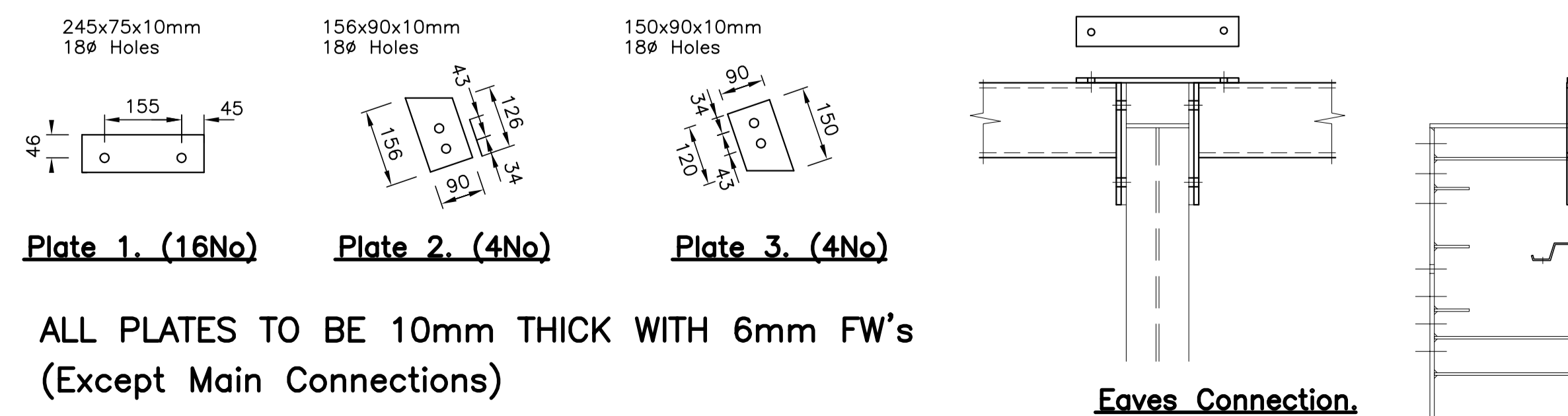
**ALL PURLIN CLEATS TO BE STEADMANS STANDARD FORMED CLEATS (WELDED)**



**Side Bracing (K1) (4No Thus)**



**Eaves Beam (EB1) (8No Thus)**



**Plate 1. (16No) Plate 2. (4No) Plate 3. (4No)**

**ALL PLATES TO BE 10mm THICK WITH 6mm FW's (Except Main Connections)**

FOR CONSTRUCTION		
<b>McKAY &amp; PARTNERS</b> CONSULTING ENGINEERS		
8 MARKET PLACE SELKIRK TD7 4BT		
TEL 01750 721726		FAX 01750 722752
BUILDING 3		
FABRICATION DETAILS		
DRAWN	CHECKED	APPROVED
DATE	DATE	DATE
SCALE	REVISION	
DRAWING NUMBER	REVISION	